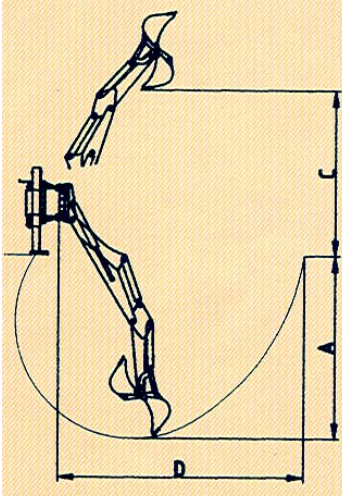
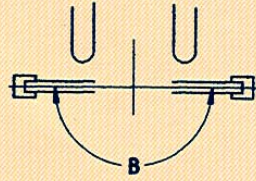
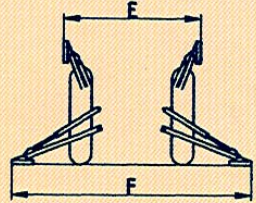




BK/200-230 BACKHOES

TECHNICAL SPECIFICATIONS

| | DESCRIPTION | BK/200 | BK/230 |
|---|---|-------------------|-------------------|
|  | A - Digging Depth (two foot flat bottom) | 74,8" 190 cm | 90,5" 230 cm |
|  | B - Swing Arc | 180° | 180° |
| | C - Loading Height (bucket at 60°) | 70,9" 180 cm | 86,6" 220 cm |
| | D - Reach from Center Line of Swing Pivot | 108,3" 275 cm | 120" 305 cm |
| | E - Stabilizer Spread, down position | 57,5" 146 cm | 57,5" 146 cm |
|  | F - Stabilizer Spread, up position | 85" 216 cm | 85" 216 cm |
| | Ripping Force at the Tooth | 4400 lb - 2000 kg | 4850 lb - 2200 kg |
| | Shipping Weight (with bucket) | 770 lb - 350 kg | 840 lb - 380 kg |